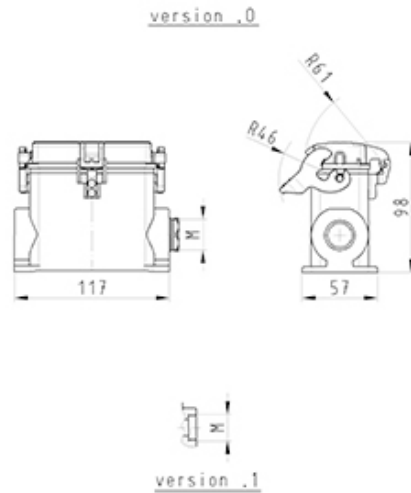


Datasheet

Item No. 76.345.4035.0

Bottom BAS GUT GS 40HM32 50 A0

revos BASIC 500V size 16H closed-bottom base with cable gland M32, left, with cover, high design, single locking lever



| | |
|------------|---------------|
| Item No. | 76.345.4035.0 |
| EAN | 4015573630086 |
| order unit | 1 Piece(s) |

Approvals



Technical data

General

| | |
|--|---------------------|
| ArticlePrice | udp_no_price |
| Nominal voltage | 500 |
| Housing material | Aluminium |
| Colour | Grey |
| Surface | With powder coating |
| Degree of protection (IP) | IP54 |
| UV resistant | Yes |
| Inflammability class of insulation material acc. with UL94 | Other |
| Operating temperature range min. | -40 °C |
| Operating temperature range max. | 120 °C |

Model

| | |
|------------------------|-------------------------|
| DIN-size | 16H |
| Model | Surface mounting (base) |
| Locking mechanism | Single locking lever |
| Cable entry | Sideways |
| Type of cable | Gland nut |
| With cable screw gland | Yes |
| Thread size M | 32 |
| Hinged lid | Yes |
| EMC-version | No |